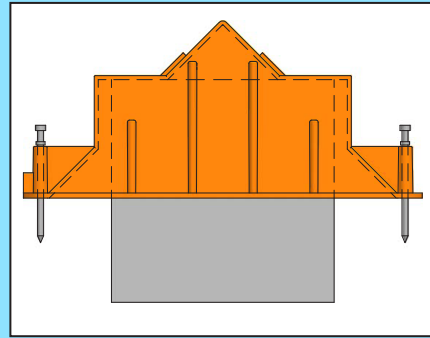
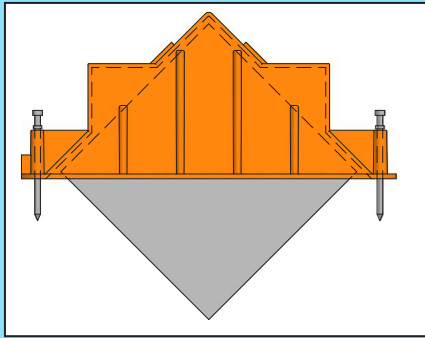


# DUO-DOWEL

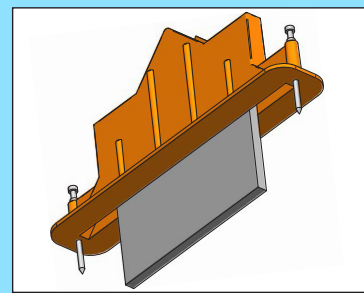
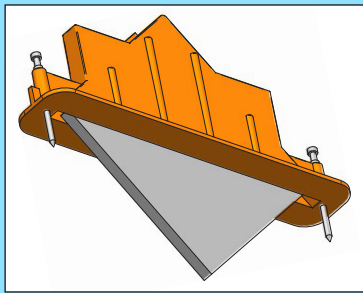
NOW YOU HAVE A REAL CHOICE!



## Australian Designed & Made Multi-directional Dowel System

The Plate Dowel System that covers both triangular and rectangular requirements

- Available in 6mm & 10mm thickness in Black, Galvanized & Stainless Steel. (110mm x 110mm plate)
- Achieving higher load capacity can be as simple as rotating the plate orientation from triangular to rectangular
- Provides greater load transfer than typical square or round bar dowels
- ABS plastic dowel sleeve more robust than other dowel sleeves, preventing collapse from concrete pressure.
- Eliminates vertical movement while allowing lateral movement in either profile.
- Design will distribute the load stress across the full width of the plate.
- Tighter manufacturing tolerances provide better holding of double headed nails and snug fit of plate.



Calculated single Dowel Load Capacities as per TR34 4th Edition  
(unreinforced concrete) where punching shear is the limiting factor

Triangular orientation

Dowel Thickness : 6 mm Joint opening : 10 mm		
Concrete Strength	Slab Thickness	
	125 mm	150 mm
25 MPa	11.3 kN	15.2 kN
32 MPa	12.8 kN	17.2 kN
40 MPa	14.3 kN	19.2 kN

Dowel Thickness : 10 mm Joint opening : 10 mm			
Concrete Strength	Slab Thickness		
	150 mm	175 mm	200 mm
25 MPa	15.2 kN	19.6 kN	24.6 kN
32 MPa	17.2 kN	22.2 kN	27.8 kN
40 MPa	19.2 kN	24.8 kN	31.1 kN

Dowel Thickness : 10 mm Joint opening : 20 mm			
Concrete Strength	Slab Thickness		
	150 mm	175 mm	200 mm
25 MPa	14.4 kN	18.7 kN	23.6 kN
32 MPa	16.3 kN	21.2 kN	26.7 kN
40 MPa	18.2 kN	23.7 kN	29.8 kN

Rectangular orientation

Dowel Thickness : 6 mm Joint opening : 10 mm		
Concrete Strength	Slab Thickness	
	125 mm	150 mm
25 MPa	18.3 kN	24.9 kN
32 MPa	20.8 kN	28.2 kN
40 MPa	23.2 kN	31.5 kN

Dowel Thickness : 10 mm Joint opening : 10 mm			
Concrete Strength	Slab Thickness		
	150 mm	175 mm	200 mm
25 MPa	24.9 kN	32.5 kN	41.0 kN
32 MPa	28.2 kN	36.7 kN	46.4 kN
40 MPa	31.5 kN	41.1 kN	51.9 kN

Dowel Thickness : 10 mm Joint opening : 20 mm			
Concrete Strength	Slab Thickness		
	150 mm	175 mm	200 mm
25 MPa	24.9 kN	32.5 kN	41.0 kN
32 MPa	28.2 kN	36.7 kN	46.4 kN
40 MPa	31.5 kN	41.1 kN	51.9 kN

MANUFACTURED BY  
**CRACK CONTROL SYSTEMS PTY. LTD.**  
PH: 03 9753-3884

Distributed by:  
**The Construction Store Pty Ltd**  
P 1300 763 288  
W [www.constore.com.au](http://www.constore.com.au)